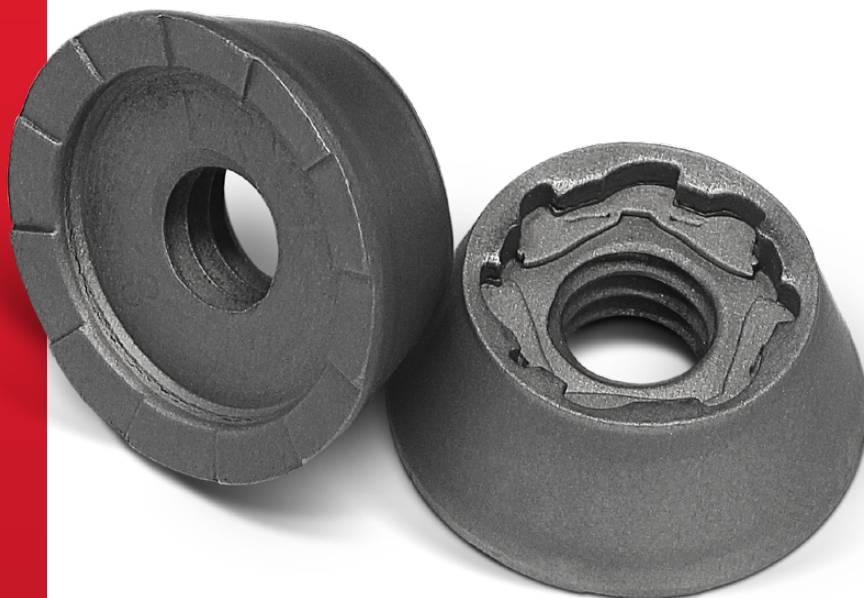


PATENTED
ELITE-SECURITY
LEVEL

BRYCE EXCLUSIVE

Key-Rex[®] Nut

99.9998%
Effective



THE MOST SECURE NUT ANYWHERE.

Key-Rex[®] Nuts are the world's most secure, tamper-proof nuts on the market. Every set of Key-Rex[®] Nuts are **custom "keyed"** for the client. Only the client has the sockets to fit their custom set which are designed to be nearly impossible to remove without the socket.

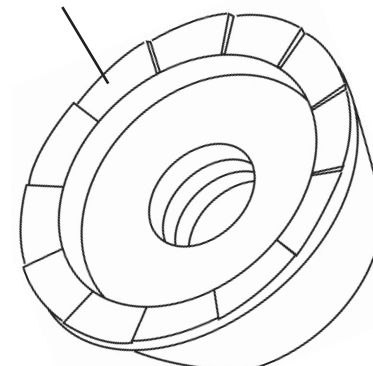
Key-Rex[®] shapes are **created using an encryption process** that builds a shape out of millions of variables and defines a unique code for each part. Customers pay for a one-time key code tool and licensing agreement.

HIGHER TORQUE WITH RAPTOR[™] SECURITY HEAD

When manufactured with the optional Raptor[™] Head, the Key-Rex[®] can handle **20% more torque** and provides more grip than any other security nut on the market.

- Radial gripping serrations flex downward with torque
- Eliminates the need for a lockwasher
- Larger diameter spreads the compressive load better

RAPTOR[™] CLAWS 20% tougher to remove than lock washers.



Made in USA
Engineered & Crafted
100% in the USA

WORLD'S MOST SECURE FASTENERS (800) 558-1082

BryceFastener.com

**PATENTED
ELITE-SECURITY
LEVEL**

BRYCE EXCLUSIVE

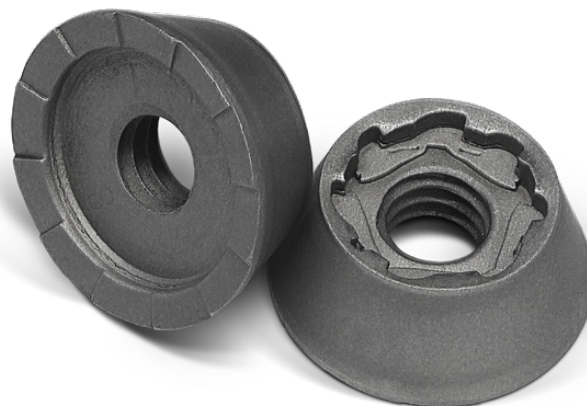
Key-Rex[®] Nut

99.9998%
Effective

STOPS THEFT.

The Applications Are Unlimited:

- Retail Electronics
- University Electronics
- OEM
- Public Utilities
- Prisons, Jails, Security Facilities
- Bank Credit Card, ATM
- Public Bike-Share
- Solar Panels
- Security Fencing
- Nuclear Plants
- Military/Government
- Museums
- Custom High-Security Applications



Sizes Available

Key-Rex[®] Nut

Size Ranges US 6/32 through 7/8-9 Metric M4-M16

Thread	Thread Metric	Height	Top Diameter	Bottom Diameter	Socket
6-32 – 1/4-20	M4 – M6	.275 (7mm)	.50 (12.7mm)	.660 (16.7mm)	1GRNS50
5/16-18 – 3/8-16	M8 – M10	.400 (10.2mm)	.745 (18.9mm)	1.00 (25.4mm)	1GRNS62
7/16-14 – 1/2-13	M12	.500 (12.7mm)	.94 (23.9mm)	1.25 (31.7mm)	1GRNS75
1/2-13 – 5/8-11	M14 – M16	.600 (15.24mm)	.97 (24.63mm)	1.375 (34.92mm)	1GRNS75
5/8-11 – 7/8-9	M16 – M20	.725 (18.4mm)	1.53 (38.9mm)	2.00 (50.8mm)	1GRNS87



Made in USA
Engineered & Crafted
100% in the USA